

PALRAZ

Palraz Engineering LTD

Reliability, Quality and Service
are the basis of everything we do.



About Palraz

Established in 1992, PALRAZ is a leading company for developing and manufacturing safety doors, windows and cabinets for residential and office buildings. These include front doors, fire doors, metal doors, transformer rooms, acoustic doors and slats – as well as unique, state-of-the-art doors for secured rooms and areas.

Located in the Zipporit Industrial Zone in the north of Israel, PALRAZ is your one-stop-shop, from conception to completion!

Our long list of customers include government offices, Israel Prison Services, large-scale industrial projects, and residential buildings.

PALRAZ products comply with the requirements of the Israel Defense Force (IDF) Home Front Command, and of the Standards Institution of Israel (ISO 9002).

Our highly experienced and professional team develop, produce, supply and assemble each and every product produced by PALRAZ – to ensure complete customer satisfaction.

Reliability, Quality and Service are the basis of everything we do.



Safe room door

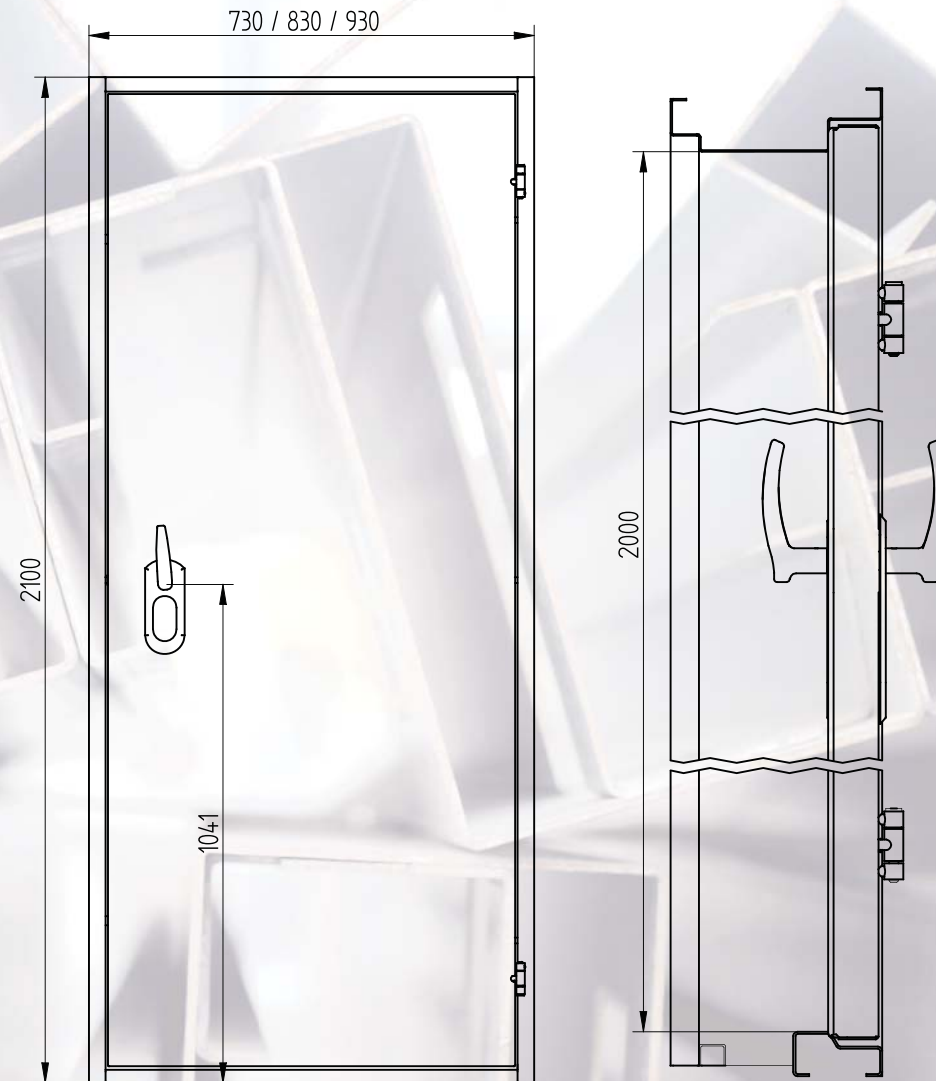
All PALRAZ doors for secured areas and rooms (Mamad) gives both blast and gas protection. Manufactured in full compliance with the requirements of the Israel Defense Force (IDF) Home Front Command, and of the Israeli Standards Institute. The low, sloping door threshold is a perfect solution combined with PALRAZ door frames - which can be ordered in a variety of widths. A variety of aesthetic finishes are also available. This door structure is also suitable for industrial die-casting, as the door hinges do not interfere with the frame.

Net Opening Measurements

60 X 200 cm

70 X 200 cm

80 X 200 cm



Safe room window

All PALRAZ windows are of excellent quality and are approved by the Israel Defense Force (IDF) Home Front Command and the Standards Institution of Israel.

Easy to use, aesthetically pleasing

Flexible planning to suit the customer

Room for installing window shutters

Upper rail does not accumulate dirt

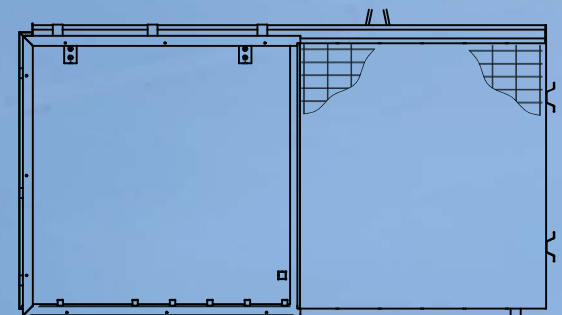
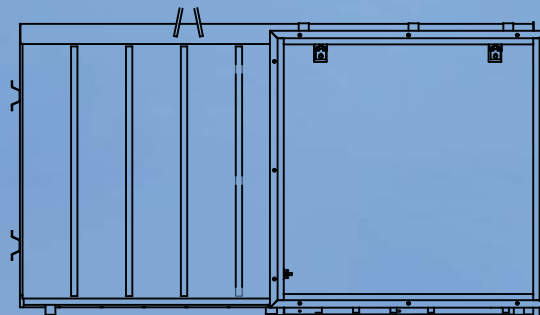
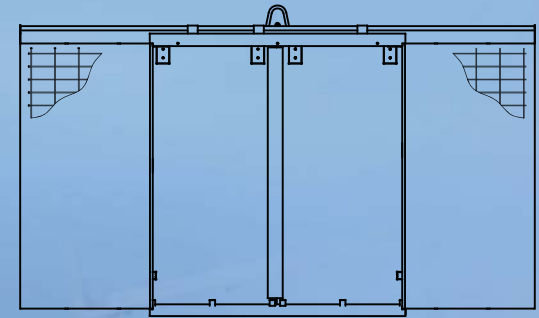
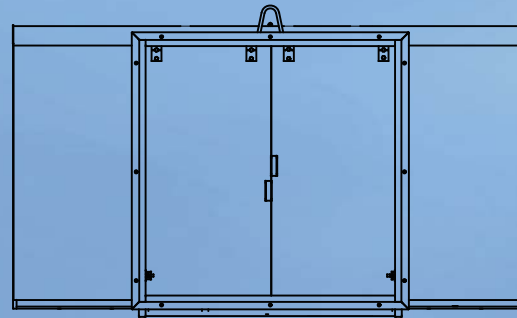
Can be installed with thermal plaster, stone, mosaic...

Suitable for industrial building

Also include adjustable leveling column, plate stoppers and gap maintainers.

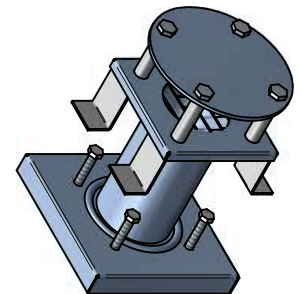
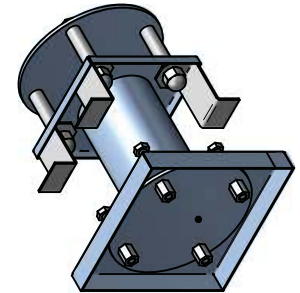
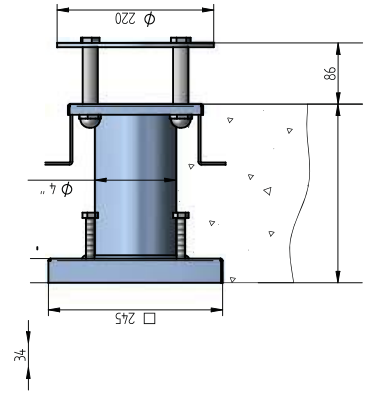
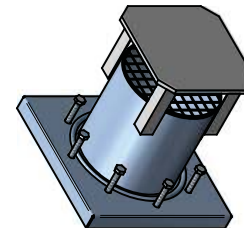
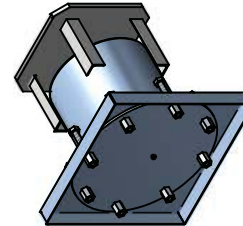
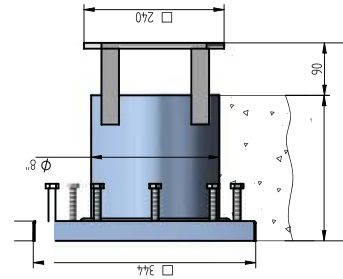
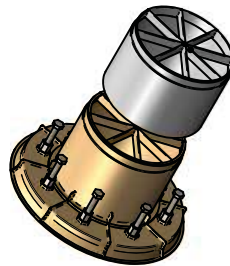
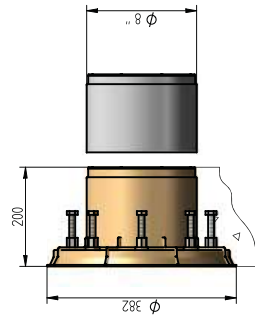
Standard Dimensions (in centimeters)

100 X 100 cm



Pipes

4" and 8" pipes and sleeves
for ventilation and installation of
filtration systems.



Public Shelters

Variety of products for public shelters, for both blast and gas protection.

All doors, windows and pipes are in full compliance with the requirements of the Israel Defense Force (IDF) Home Front Command, and of the Standards Institution of Israel.



Special Blast Doors

PALRAZ also specialize in design, manufacture and install special gates, for gas and blast protection.

Those gates are state of the art, tailor made projects. Experienced in manually and automatic gates (Hydraulic and electric operated).

PALRAZ have fabricated and installed gates up to 50 tons weight.



Fire doors

PALRAZ has a very wide variety of fire resistant doors, single and double wing doors, which combine vision panels, panic devices and control systems.

The fire doors are with high quality hardware, both European and American.

The fire doors different models withstand from 30 mins up-to 105 mins.

All fire doors comply with the Israeli Standard 1212.

Suits public buildings, office buildings, commercial properties, etc.



High quality, beautifully designed security doors

Galvanized steel frame and door which includes thermal and acoustic insulation.

The security doors are Single or double leaf door

Security grade of up-to 15 mins anti burglary

All doors comply with the Israeli Standard 5044.

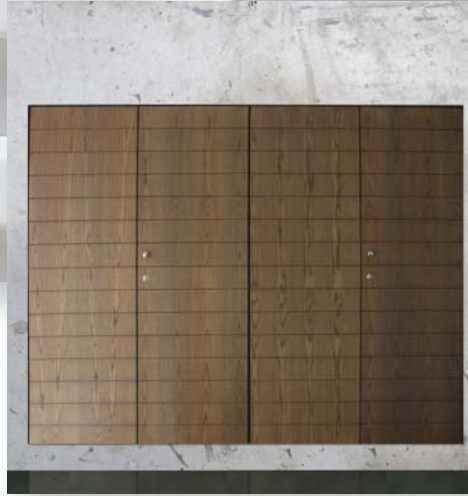


Others



Acoustic Doors

PALRAZ has vast experience in manufacturing acoustic doors that have been approved up to 38 DBA standards.



Service cabinets

- Galvanized steel frame and door for electricity, water etc.
- Divisions as per architect or engineer requirements.
- Concealed in-frame latches (locks can also be Added).



Shutters

Variety of models of galvanized steel, electrostatic painted shutters. Design and dimensions as per requirements.

PALRAZ

Palraz Engineering LTD

Reliability, Quality and Service
are the basis of everything we do.